

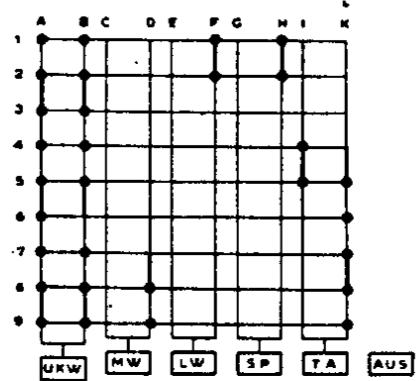
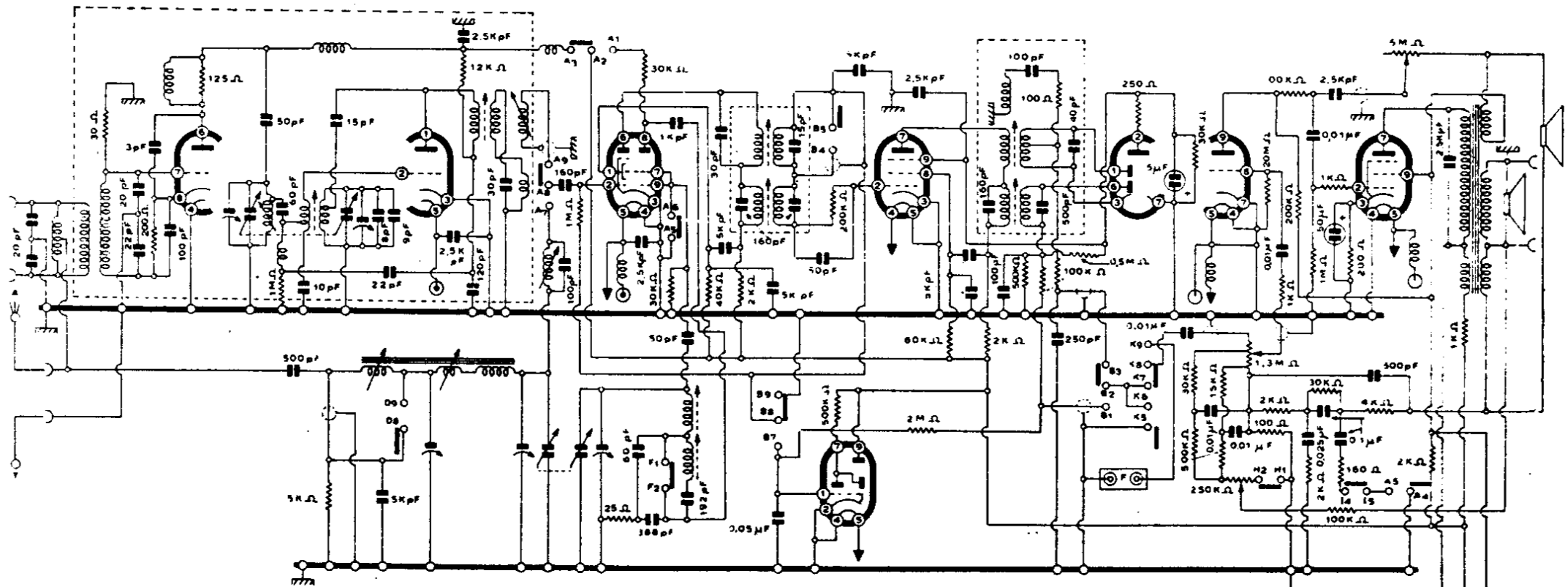
ECC85

ECH81

EF89

EABC80

EL84



EM80

MF PER **AM** 460KHZ,
 MF PER **FM** 10,7MMHZ;

